



**PREALUX**

Passion for Road Safety

# LIGHT SIGNALLING SOLUTIONS URBAN LINE

# INDEX

## LIGHT SIGNALLING SOLUTIONS \_ URBAN LINE

<b>1_ SIGNALLING</b>	Pages	3-11
- BPL1-80A	Page	4
- SL80-1A	Page	5
- SL80-2A / 4A	Page	6
- SL20SL	Page	8
- SL20SL-2O	Page	9
- SL30SL	Page	10
- Dual plants for road signs	Page	11
<b>2_ POWER SUPPLY KITS</b>	Pages	12-14
- SOLAR KIT	Page	13
- PUBLIC AND 230 KIT	Page	14
<b>3_ BENDS AND JUNCTIONS</b>	Pages	16-21
- Sequential systems	Page	17
- Radio-sequential systems	Page	18
- 80LR	Page	20
- SR-45	Page	21
<b>4_ PEDESTRIAN</b>	Pages	22-27
- SUNNY-CROSS	Page	23
- BFC20SL	Page	24
- SR-15	Page	25
- SRI - LED backlit signs	Page	27





<b>5_ SPEED</b>	Pages	28-29
- REV - Speed detector	Page	29
<b>6_ ALERT AND INFORMATION</b>	Pages	30-33
- QMTL WEATHER ALERT - Radio	Page	31
- QMTL WEATHER ALERT - SatOver	Page	32
- SDA - Flooding Sensor	Page	33
<b>7_ WORK ZONE EQUIPMENT</b>	Pages	34-47
- LED Warning trailer - Fig. 400	Page	35
- LED Warning trailer - Fig. 401	Page	36
- MTA-8	Page	38
- MTA-13	Page	39
- Arrow board	Page	40
- LTRS-140SL-1	Page	42
- LTRS-20SL-A2	Page	43
- LTRS-20SL-B2	Page	44
- LTRS-20L8-2A	Page	45
- 20L8L - Sequential	Page	47
- Flag-waving system	Page	48
- Work zone lamps	Page	49
- Delineators and bases	Page	50
- Batteries	Page	51



# 1 SIGNALLING

# BPL1-80A

Signalling devices with 24-hrs continuous operation.  
Photovoltaic power supply. Compact design and easy installation.

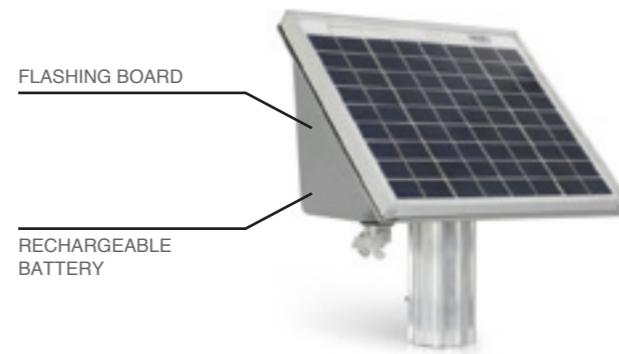
## TECHNICAL DATA

Ref.	BPL1-80A
Dimensions	Black painted aluminium contrast support: L 250 x W 125 x H 120 mm Fixing brackets for Ø 60 mm pole
Lamps	1 Ø 80 mm - model 80SL
Class	EN12352 - L2H
Number of LEDs	18, type Primax® by Dominant®
Total luminous intensity	350 candelas
Lens material	Impact resistant Altuglas DRT101® thermoplastic



## TECHNICAL DATA

Ref.	SOLAR 10-9A
Photovoltaic panel	Solar 10 Watt - L 350 x W 22 x H 300 mm
Pole top support dimensions	L 320 x W 226 x H 350 mm
Material	Impact resistant ABS thermoplastic
Battery	Lead-gel rechargeable: 1 x 12 V - 9 Ah
Pole fixing	Special extruded aluminium fixing system for Ø 60 mm or Ø 90 mm pole



# SL80-1A

Signalling devices with 24-hrs continuous operation.  
Photovoltaic power supply. Compact design and easy installation.

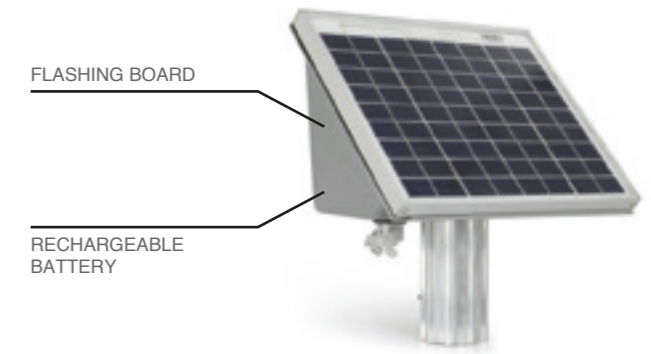
## TECHNICAL DATA

Ref.	SL80-1A
Dimensions	Black painted aluminium contrast support: Ø 150 mm Fixing brackets for Ø 60 or Ø 90 mm pole
Lamps	1 x Ø 80 mm - model 80SL
Class	EN12352 - L2H
Number of LEDs	18, type Primax® by Dominant®
Total luminous intensity	350 candelas
Lens material	Impact resistant Altuglas DRT101® thermoplastic



## TECHNICAL DATA

Ref.	SOLAR 10-9A
Photovoltaic panel	Solar 10 Watt - L 350 x W 22 x H 300 mm
Pole top support dimensions	L 320 x W 226 x H 350 mm
Material	Impact resistant ABS thermoplastic
Battery	Lead-gel rechargeable: 1 x 12 V - 9 Ah
Pole fixing	Special extruded aluminium fixing system for Ø 60 mm or Ø 90 mm pole





# SL80-2A / 4A

Signalling devices with 24-hrs continuous operation.  
Photovoltaic power supply. Compact design and easy installation.

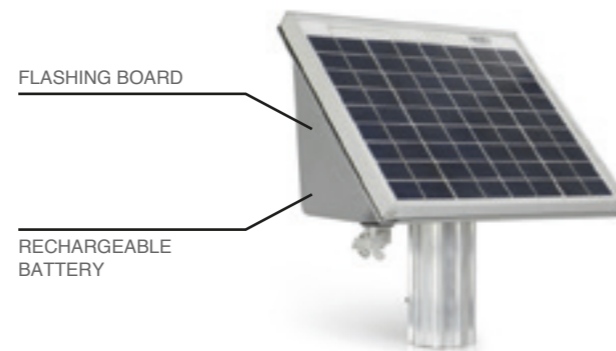
## TECHNICAL DATA

Ref.	SL80-2A-B (2 lamps - flag fixing) SL80-2A-C (2 lamps - central fixing) SL80-4A-B (4 lamps - flag fixing) SL80-4A-C (4 lamps - central fixing)
Dimensions	Black painted aluminium contrast box: L 600 x W 35 x H 110 mm Fixing brackets for Ø 60 or Ø 90 mm pole
Lamps	2 or 4 x Ø 80 mm - model 80SL
Class	EN12352 - L2H
Number of LEDs	2 or 4 x 18, type Primax® by Dominant®
Total luminous intensity	2 or 4 x 350 candelas
Lens material	Impact resistant Altuglas DRT101® thermoplastic



## TECHNICAL DATA

Ref.	SOLAR 10-18A (ref. SL80-2A) SOLAR 20-18A (ref. SL80-4A)
Photovoltaic panel	Solar 10 or 20 Watt
Pole top support dimensions	L 320 x W 226 x H 350 mm (Solar 10) L 320 x W 267 x H 373 mm (Solar 20)
Material	Impact resistant ABS thermoplastic
Battery	Lead-gel rechargeable: 2 x 12 V - 9 Ah
Pole fixing	Special extruded aluminium fixing system for Ø 60 mm or Ø 90 mm pole





# SL20SL

Signalling devices with 24-hrs continuous operation.  
Photovoltaic power supply. Compact design and easy installation.

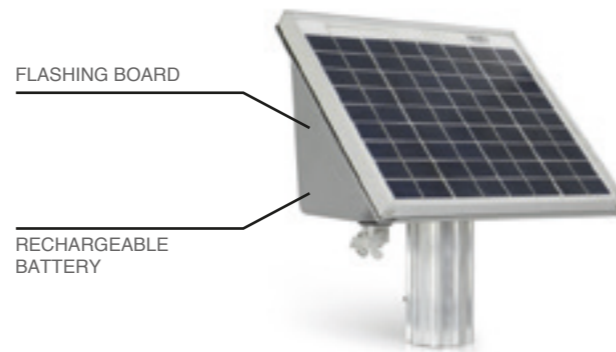
## TECHNICAL DATA

Ref.	SL20SL
Dimensions	Black painted aluminium contrast panel: Ø 280 mm Fixing brackets for Ø 60 or Ø 90 mm pole
Lamps	1 x Ø 200 mm - model 20SL
Class	EN12352 - L2H
Number of LEDs	60, type Primax® by Dominant®
Total luminous intensity	2100 candelas
Lens material	Impact resistant Altuglas DRT101® thermoplastic



## TECHNICAL DATA

Ref.	SOLAR 10-9A
Photovoltaic panel	Solar 10 Watt - L 350 x W 22 x H 300 mm
Pole top support dimensions	L 320 x W 226 x H 350 mm
Material	Impact resistant ABS thermoplastic
Battery	Lead-gel rechargeable: 1 x 12 V - 9 Ah
Pole fixing	Special extruded aluminium fixing system for Ø 60 mm or Ø 90 mm pole

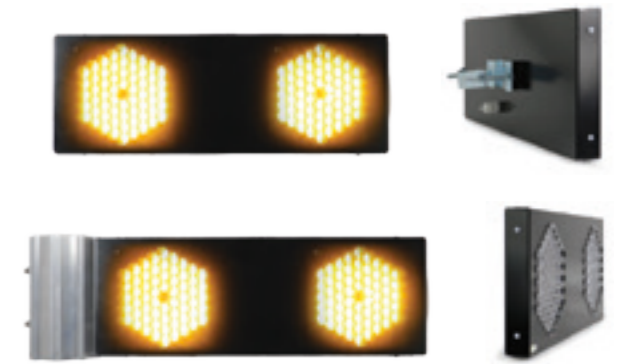


# SL20SL-20

Signalling devices with 24-hrs continuous operation.  
Photovoltaic power supply. Compact design and easy installation.

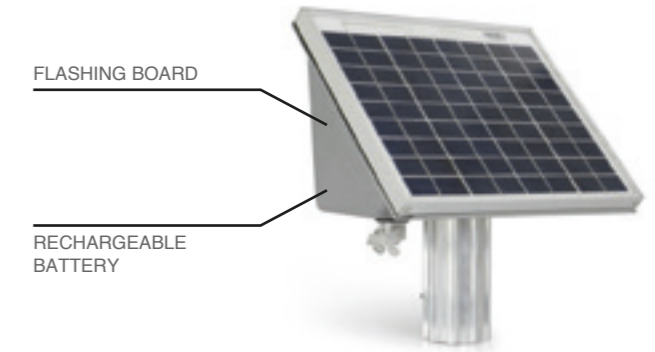
## TECHNICAL DATA

Ref.	SL20SL-20-B (flag fixing) SL20SL-20-C (central fixing)
Dimensions	Black painted aluminium contrast box: L 600 x W 40 x H 210 mm Fixing brackets for Ø 60 or Ø 90 mm pole
Lamps	2 x Ø 200 mm - model 20SL
Class	EN12352 - L8H
Number of LEDs	2 x 60, type Primax® by Dominant®
Total luminous intensity	2 x 2100 candelas
Lens material	Impact resistant Altuglas DRT101® thermoplastic



## TECHNICAL DATA

Ref.	SOLAR 20-18A
Photovoltaic panel	Solar 20 Watt - L 520 x W 22 x H 350 mm
Pole top support dimensions	L 320 x W 267 x H 373 mm
Material	Impact resistant ABS thermoplastic
Battery	Lead-gel rechargeable: 2 x 12 V - 9 Ah
Pole fixing	Special extruded aluminium fixing system for Ø 60 mm or Ø 90 mm pole





# SL30SL

Signalling devices with 24-hrs continuous operation.  
Photovoltaic power supply. Compact design and easy installation.

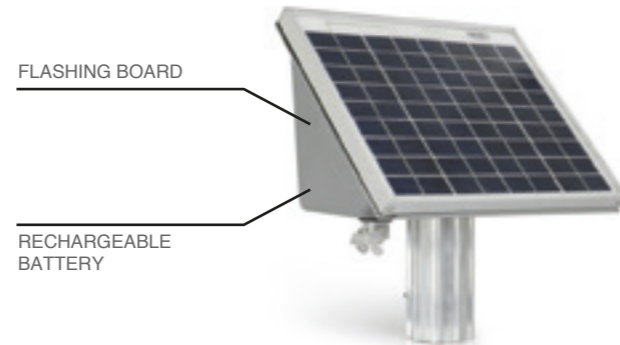
## TECHNICAL DATA

Ref.	SL30SL
Dimensions	Ø 300 x 63 mm Fixing brackets for Ø 60 or Ø 90 mm pole
Lamps	1 x Ø 300 mm - model 30SL
Class	EN12352 - L9M
Number of LEDs	150, type Primax® by Dominant®
Total luminous intensity	6000 candelas
Lens material	Impact resistant Altuglas DRT101® thermoplastic



## TECHNICAL DATA

Ref.	SOLAR 20-18A
Photovoltaic panel	Solar 20 Watt - L 520 x W 22 x H 350 mm
Pole top support dimensions	L 320 x W 267 x H 373 mm
Material	Impact resistant ABS thermoplastic
Battery	Lead-gel rechargeable: 2 x 12 V - 9 Ah
Pole fixing	Special extruded aluminium fixing system for Ø 60 mm or Ø 90 mm pole



# DUAL PLANTS FOR ROAD SIGNS

Signalling devices with 24-hrs continuous operation.  
Compact design and easy installation. Designed to be integrated on road signs.

## TECHNICAL DATA

Ref.	DUP-80
Lamps	2 x Ø 80 mm - model 80SL
Class	EN12352 - L2H
Total luminous intensity	2 x 400 candelas



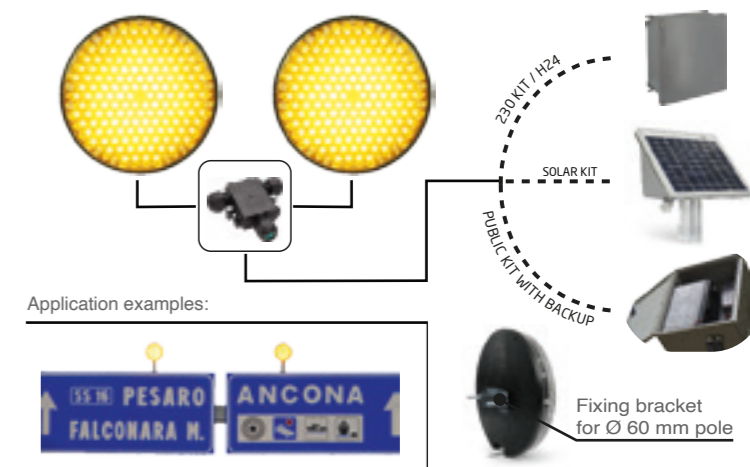
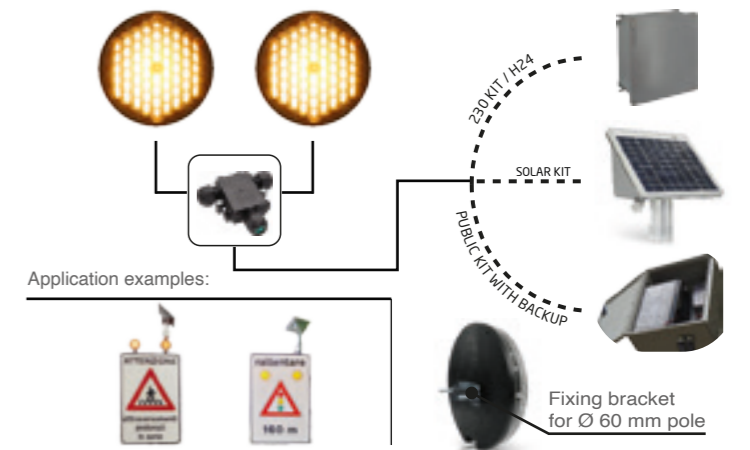
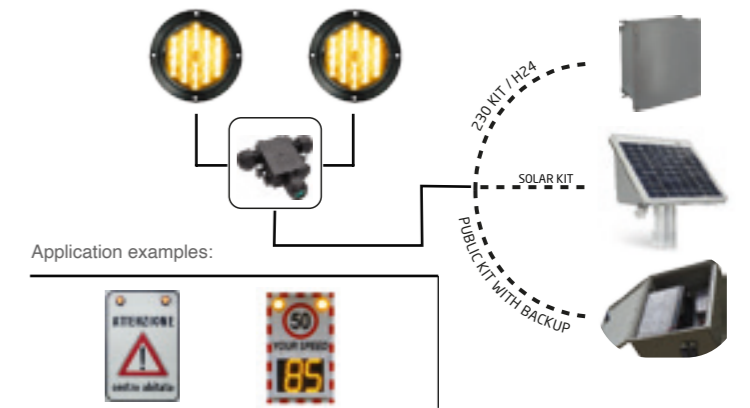
## TECHNICAL DATA

Ref.	DUP-20
Lamps	2 x Ø 200 mm - model 20SL
Class	EN12352 - L8H
Total luminous intensity	2 x 2100 candelas



## TECHNICAL DATA

Ref.	DUP-30
Lamps	2 x Ø 300 mm - model 30SL
Class	EN12352 - L9M
Total luminous intensity	2 x 6000 candelas

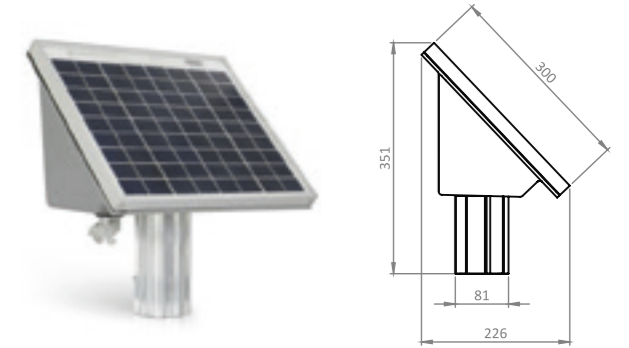


## SOLAR KIT

Photovoltaic power supply system with a compact shell made of thermoformed impact resistant thermoplastic PVC or steel. Designed to ensure the operation of the devices all year round.

### TECHNICAL DATA

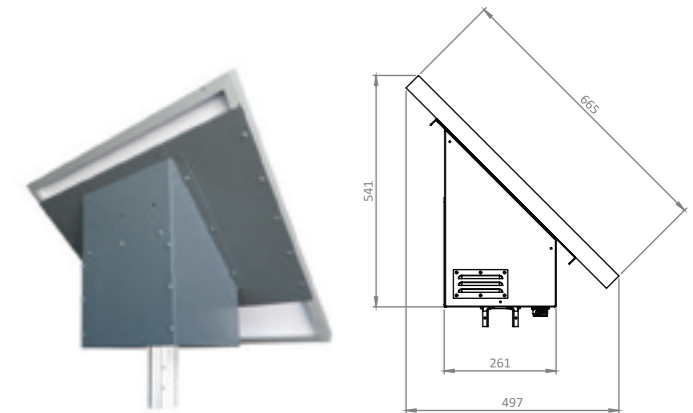
Ref.	SOLAR 10/20
Photovoltaic panel	Solar 10 Watt - L 350 x W 22 x H 300 mm Solar 20 Watt - L 520 x W 22 x H 350 mm
Pole top support dimensions	L 300 x W 226 x H 351 mm
Material	Impact resistant ABS thermoplastic
Batteries	Lead-gel rechargeable: Solar 10: 1 x 12 V - 9 Ah Solar 20: 2 x 12 V - 18 Ah
Pole fixing	Special extruded aluminium fixing system for Ø 60 mm or Ø 90 mm pole



Panels' certifications:  
IEC 61215:2005 - IEC 61730:2007 - IEC 61701:1995

### TECHNICAL DATA

Ref.	SOLAR 40/60/80
Photovoltaic panel	Solar 40 Watt - L 665 x W 34 x H 465 mm Solar 60 Watt - L 665 x W 34 x H 665 mm Solar 80 Watt - L 665 x W 34 x H 840 mm
Pole top support dimensions	L 410 x W 497 x H 541 mm
Material	Impact resistant ABS thermoplastic
Battery	Lead-gel rechargeable: 12 V - 40 Ah
Pole fixing	Special extruded aluminium fixing system for Ø 60 mm or Ø 90 mm pole



# 2 POWER SUPPLY KITS



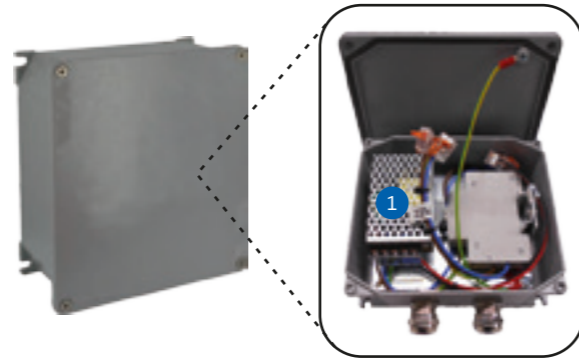


# PUBLIC AND 230 KITS

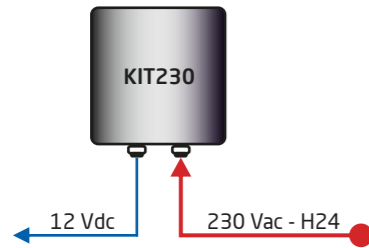
Power supply systems for when it is possible to use the power distribution network, either public (only during the night) or continuous (active at all times).

## TECHNICAL DATA

Ref.	KIT230
Dimensions	Technopolymer plastic box Dim. L 217 x W 93 x H 253 mm
Protection class	IP44 - IK07
Switching power supply	Input: 230V - Output: 12V-5A
Pole fixing	Ø 60 e Ø 90 mm bracket predisposition

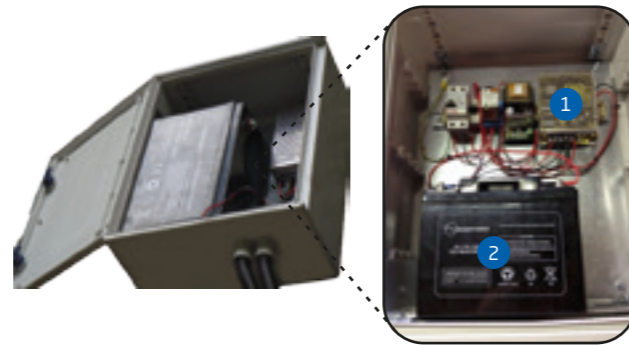


1 Switching power supply



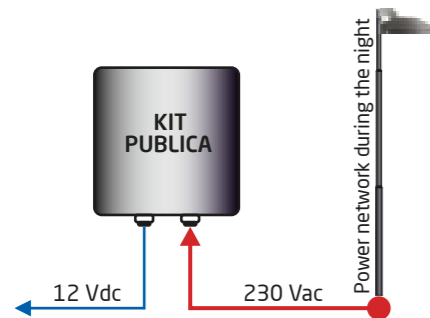
## TECHNICAL DATA

Ref.	KITPUBBLICA
Dimensions	Technopolymer plastic box Dim. L 316 x W 128 x H 236 mm - KITPUB18 Dim. L 400 x W 250 x H 300 mm - KITPUB40
Protection class	IP44 - IK07
Batteries	Lead-gel rechargeable: 2 x 12 V - 9 Ah (ref. KITPUB18) 1 x 12 V - 40 Ah (ref. KITPUB40)
Switching power supply	Input: 230V - Output: 12V-5A
Pole fixing	Ø 60 e Ø 90 mm bracket predisposition



1 Switching power supply

2 Backup battery



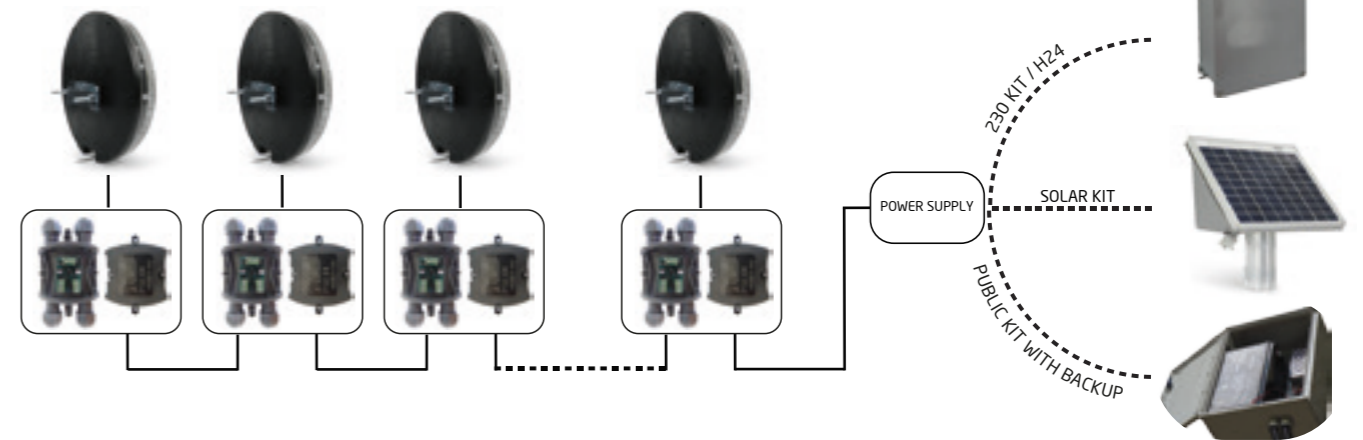
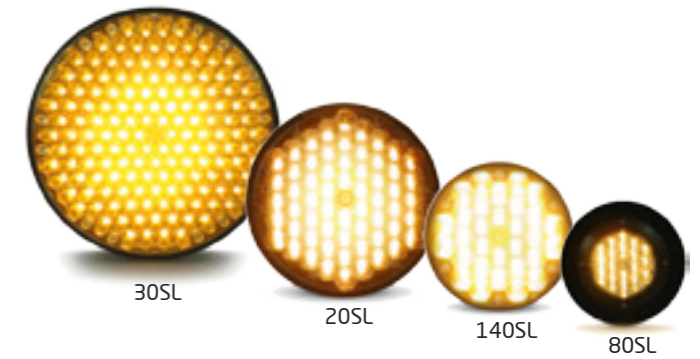


## SEQUENTIAL PLANTS

Fixed installation sequential plants with EN 12352 approved LED optical devices, with 80 - 140 - 200 - 300 mm diameter.

### TECHNICAL DATA

Ref.	80SL: Ø 80 mm - 18 LED 140SL: Ø 140 mm - 30 LED 20SL: Ø 200 mm - 60 LED 30SL: Ø 300 mm - 150 LED
Resistance	Mechanical: M3 - Water: IPX6
Total luminous intensity	80SL: 400 cd - L2H 140SL: 1000 cd - L2H 20SL: 2100 cd - L8H 30SL: 32000 cd - L9H
Lenze material	Impact resistant Altuglas DRT101® thermoplastic
Sequence	Automatic, according to wiring



# 3 BENDS AND JUNCTIONS



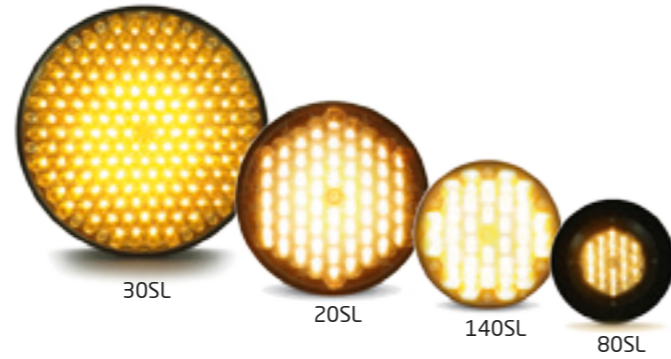


# RADIO SEQUENTIAL PLANTS

Fixed installation sequential plants with EN 12352 approved LED optical devices, with 80 - 140 - 200 - 300 mm diameter.

## TECHNICAL DATA

Ref.	80SL: Ø 80 mm - 18 LED 140SL: Ø 140 mm - 30 LED 20SL: Ø 200 mm - 60 LED 30SL: Ø 300 mm - 150 LED
Resistance	Mechanical: M3 - Water: IPX6
Total luminous intensity	80SL: 400 cd - L2H 140SL: 1000 cd - L2H 20SL: 2100 cd - L8H 30SL: 32000 cd - L9H
Lens material	Impact resistant Altuglas DRT101® thermoplastic
Power supply	SOLAR 20-18A
Sequence	Automatic configuration



CE EN12352



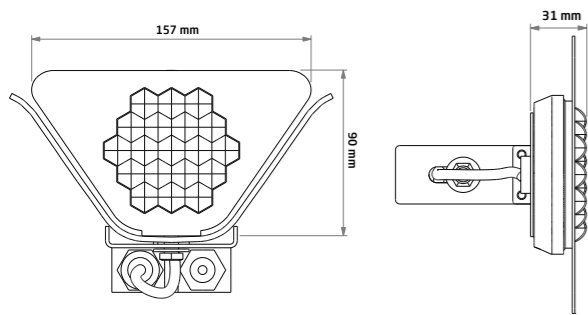
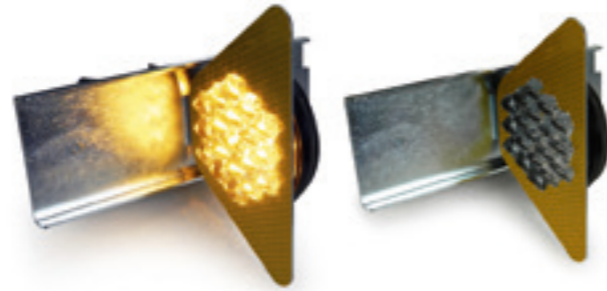


# 80LR

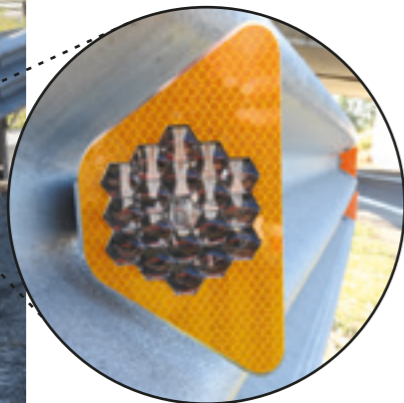
Guidance lighting device to be applied on guardrails at road or motorway junctions and road sections where fog is expected. The system can be implemented with a control unit for the remote setting of the sequential flashing functions, alternate or synchronised.

## TECHNICAL DATA

Ref.	80LR
Dimensions	Galvanised metal contrast panel and class 2 reflective sheeting L 90 x W 31 x H 157 mm
Lamps	1 x Ø 80 mm - model 80SL
Total luminous intensity	400 candelas - L2H
Number of LEDs	18, type Primax® by Dominant®
Lens material	Impact resistant Altuglas DRT101® thermoplastic
Variants	Available in a two-sided version and in 6 different LED colours



## POWER SUPPLY KIT



## RANGE OF SETTABLE LED COLOURS

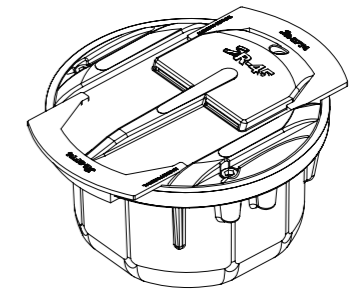
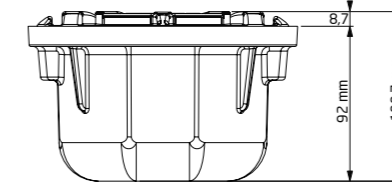
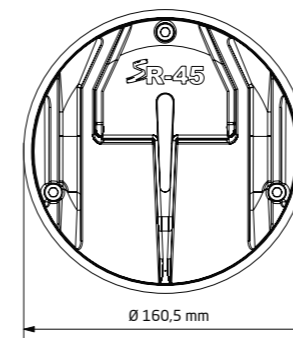
- =White
- =Red
- =Amber
- =Green
- =Blue
- =Orange

# SR-45

LED road marker for safer junctions, bends, straight roads and motorways, pedestrian crossings and cycle paths. Thanks to its design, it only protrudes 8.7 mm from the ground.

## TECHNICAL DATA

Ref.	SR-45A (aluminium) SR-45SP (stainless steel)
Dimensions	Ø 160,5 x H 99,3 mm
Number of LEDs	8 x 5 mm 30° NICHIA® type
Luminous intensity	31000 mcd
Protection class	IP68 - IK10
Pressure resistance	30 tons/sqm - ref. SR-45 120 tons/m² - ref. SR-45-SP
Variants	Steady light version or with control unit for sequential flashing, synchronised and dimmable, remotely programmable through an Ethernet cable



## GAMMA COLORI LED CONFIGURABILI

- =White
- =Red
- =Amber
- =Green
- =Blue





# SUNNY-CROSS

LED optical device for the signalling and safety of pedestrian crossings, equipped with a presence sensor.

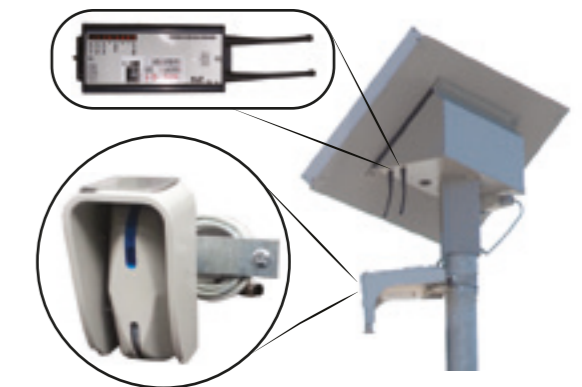
## TECHNICAL DATA

Ref.	SLX80-2A-B (flag fixing) SLX80-2A-C (central fixing) SLX20-2A-B (flag fixing) SLX20-2A-C (central fixing)
Dimensions	Black painted aluminium contrast box: L 600 x W 35 x H 110 mm (SLX80) L 600 x W 40 x H 210 mm (SLX20)
Lamps	ref. SLX80-2A: 2 x Ø 80 mm - model 80SL ref. SLX20-2A: 2 x Ø 200 mm - model 20SL
Class	ref. 80SL: EN12352 - L2H ref. 20SL: EN12352 - L8H
Pole fixing	Ø 60 or Ø 90 flag type in extruded aluminium or central with bracket



## TECHNICAL DATA

Ref.	SOLAR 20X-18A
Photovoltaic panel	Solar 20 Watt - L 350 x W 22 x H 520 mm
Batteries	2 x 12 V - 9 Ah
Sensor	DOPPLER system presence sensor IP65 certified resistance
Sunny-cross	RX-TX radio module for the synchronised activation of the devices
Pole fixing	Special extruded aluminium fixing system for Ø 60 mm or Ø 90 mm pole



# 4 PEDESTRIAN

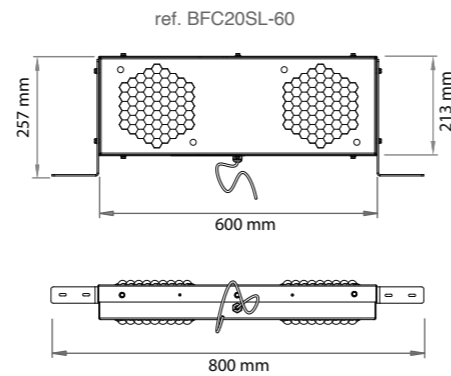
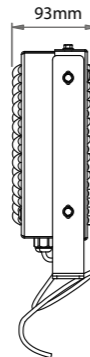
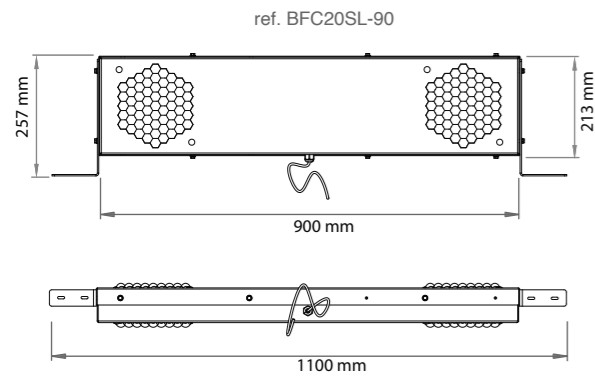


# BFC20SL

Two-sided signalling device for road signs. Compact design and easy installation.

## TECHNICAL DATA

Ref.	BFC20SL-60 BFC20SL-90
Dimensions	Black painted ALUMINIUM box: L 600 x W 93 x H 213 mm (BFC20SL-60) L 900 x W 93 x H 213 mm (BFC20SL-90)
Lamps	4 x Ø 200 mm - model 20SL
Class	EN12352 - L8H
Number of LEDs	4 x 60, type Primax® by Dominant®
Total luminous intensity	4200 candelas each side
Lens material	Impact resistant Altuglas DRT101® thermoplastic



# SR-15

Two-sided LED road marker with photovoltaic power supply and rechargeable batteries.

Autonomy with no sun:

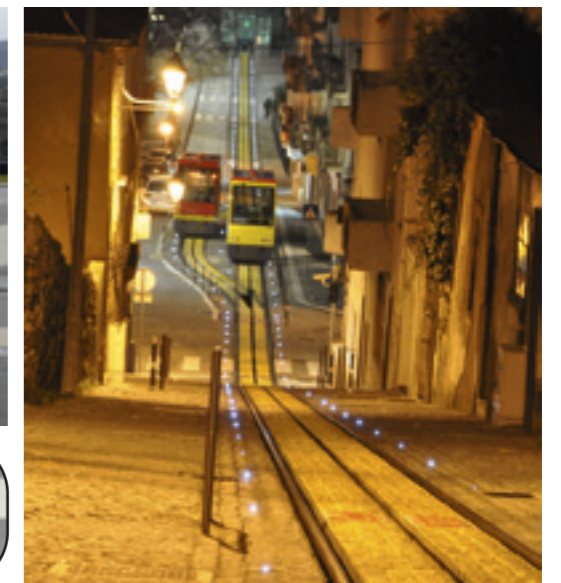
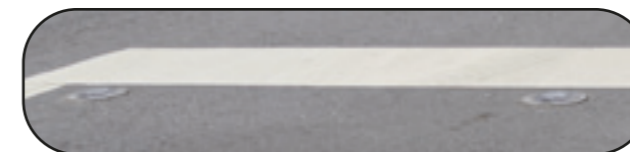
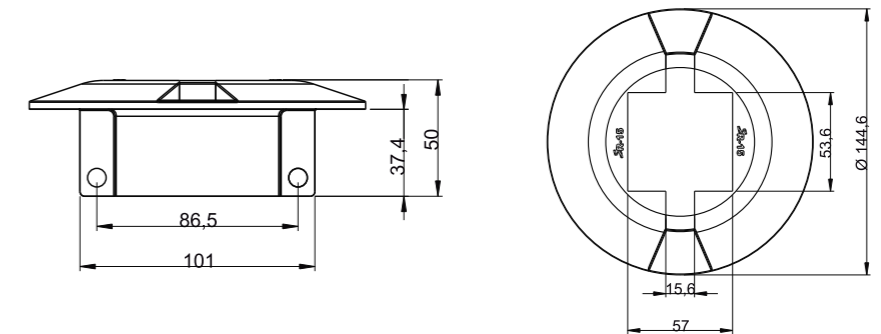
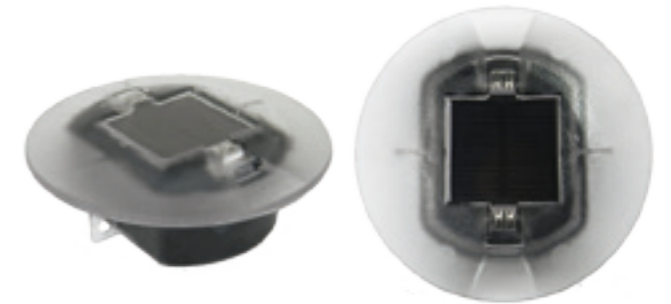
- Steady light 200 hrs
- Flashing light 1050 hrs

Thanks to its design, it only protrudes 12 mm from the ground.

Mainly used to signal pedestrian crossings and cycle paths.

## TECHNICAL DATA

Ref.	SR-15
Dimensions	Ø 144.6 x H 50 mm
Weight	0.5 Kg
Number of LEDs	4 x 5 mm 15° NICHIA® type White colour LED
Resistance	60 tons/sqm - IP68 - IK10
Material	Impact resistant polycarbonate
Battery	Rechargeable 1.2 V - 1900 mA







URBAN LINE / PEDESTRIAN  
CODE U-4.4

# SRI LED BACKLIT SIGNS

Compact design and easy installation LED backlit signs.  
Thickness reduced down to 2 cm.

## TECHNICAL DATA

Ref.	SRI
Dimensions	L 600 x W 20 x H 600 mm
Material	Black painted aluminium structure Plastic panel with translucent class 2 reflective sheeting
Power supply	- Photovoltaic - 230 VCA with twilight function - Public power network
Variants	Two-sided with flag fixing One-sided with central fixing



# REV SPEED DETECTORS

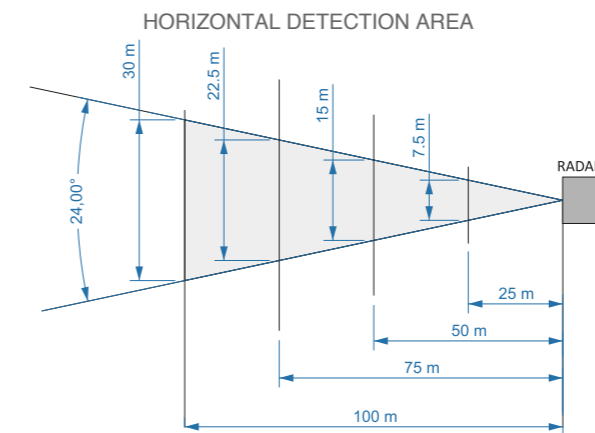
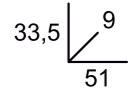
Speed dissuaders with doppler effect radar detector. The flashing lights and the display switch on when a vehicle is detected and/or the preset speed limit is exceeded.

## TECHNICAL DATA

Ref.	REV20SL
Lamp dimensions	2 x Ø 200 mm - model 20SL
Certification	Lamps: EN12352 - L8H REV: EN12966
Versions	BASE (Basic): 2 x 20SL lamps TEXT: Basic + text display REV: Basic + 3-digits VMS REV PLUS: Basic + 3-digits and text VMS

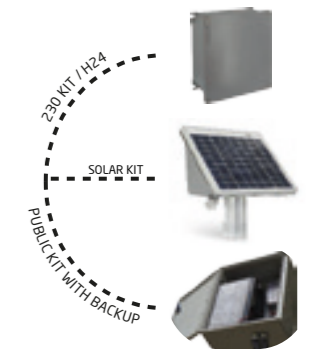


3-digits box dimensions (ref. REV):



The radar detects vehicles up to a distance of 120 mt, with a 24.165 GHz Doppler effect. In the models REV and REV PLUS, the radar is integrated in the VMS.

POWER SUPPLY KIT



5  
SPEED

BASE



TEXT



REV



REV PLUS





# QMTL-RADIO QUICK WEATHER ALERT

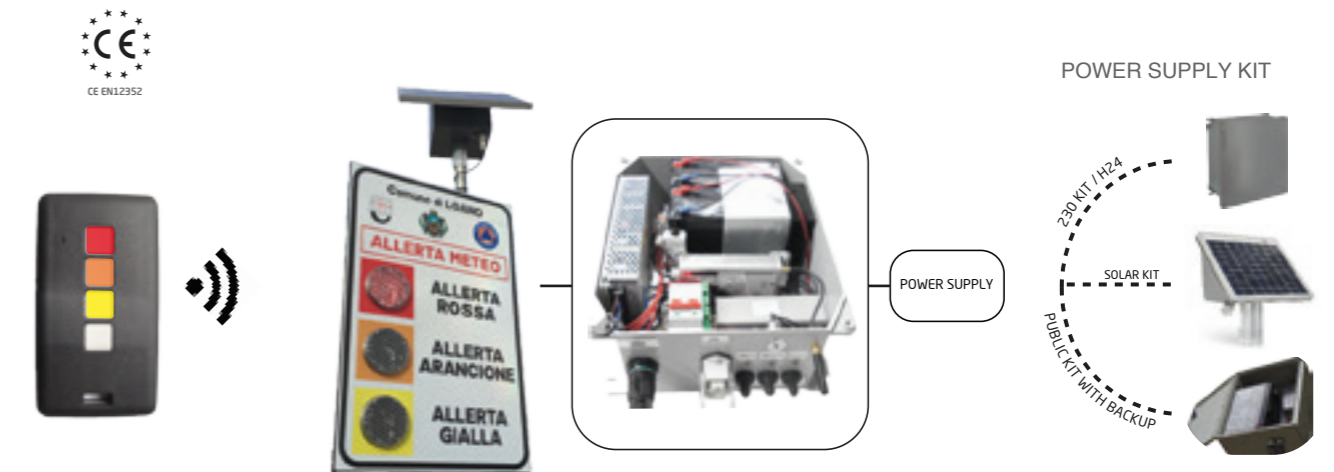
LED weather alert signalling system, with radio control. 230V power supply, either photovoltaic or through public power network, with backup battery for power outages during the daytime. Configurable panels with different size and colour lamps.

## TECHNICAL DATA

Ref.	QMTL-RADIO
Lamps	Configurable lamps in size and colour
Lamps class	EN12352
Radio module	868 MHz transceiver
Radio control	4 channels - range up to 50 mt
Variants	REMOTE CONTROL, version, managed by PC or smartphone with WEB application. Switching on and off at any time, with the programming of times and alerts.



Available configurations:



# 6 ALERT AND INFORMATION



# QMTL-SATOVER QUICK WEATHER ALERT

Weather alert signalling system with SAT-OVER kit for remote management via pc, tablet or smartphone. Configurable panels with different size and colour lamps and variable message sign.

## TECHNICAL DATA

Ref.	QMTL-SATOVER
Lamps	Configurable lamps in size and colour
Lamps class	EN12352
Integrated modules	GSM/GPRS modem - accelerometer - GPS
Management	WEB application - compatible with pc, tablet and smartphone
Variants	Version with variable message sign with the writings: SNOW-WIND-RAIN



### WEB APPLICATION

The signs can be managed and activated through the software from any place

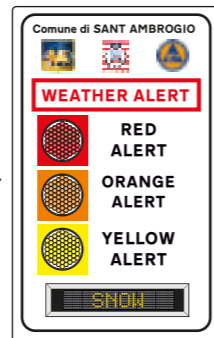


### MODEM SAT-OVER

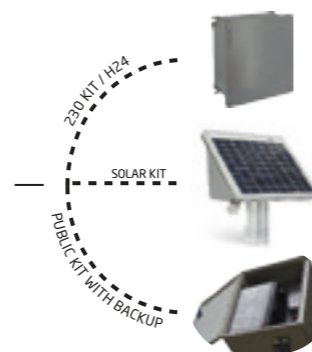
This innovative communication system monitors and manages all connected electronic devices



### CUSTOMISED SIGN



### POWER SUPPLY KIT



The management system, entirely developed by us, warns about faults and alarms via email or sms. It is possible to view useful information in real time, such as:

- Battery charge status
- GPS localisation
- GSM/GPRS signal power
- Sign inclination signalling system

A sophisticated and complete system, simple and easy to use. Among the various functions:

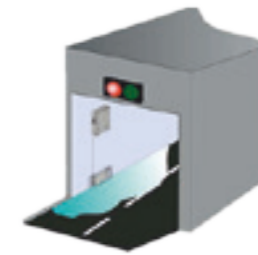
- Creation and management of the operators
- Multiple alerts programming, per date and time
- Simultaneous management of all signs

# SDA FLOODING SENSOR

Flood signalling system for underpasses, tunnels and car parks. Configurable panels with different shape and colour lamps.

## TECHNICAL DATA

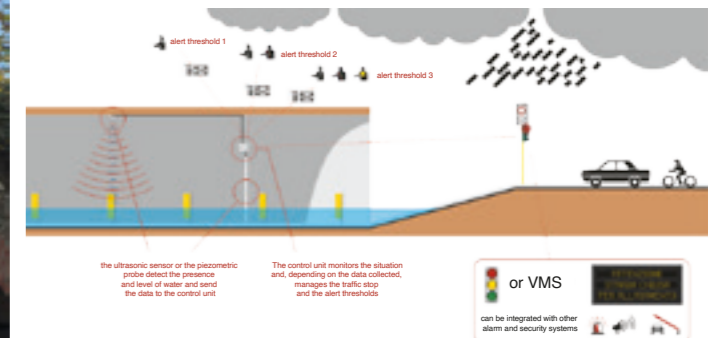
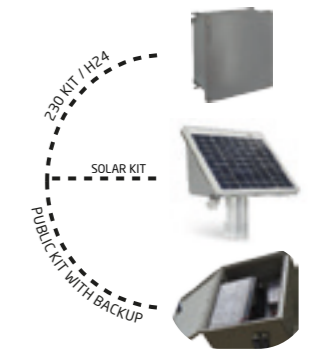
Ref.	SDA
Lamps	Configurable lamps in size and colour
Lamps class	EN12352
Sensor module	Resin-impregnated circuit - IP65 protection
BOX dimensions	L 200 x W 80 x H 150 mm
Features	Water detection starting from 1-2 mm Reading time approx. 1 second



The highly reliable sensor is able to detect the occurrence of flooding and generate an alarm that is sent to the control unit, which will send a notification to the competent authorities and will activate the connected devices.

POWER SUPPLY

### POWER SUPPLY KIT





## FIG. 400 LED WARNING TRAILER WORK ZONE NOTICE

Mobile LED warning trailer consisting of an aluminium alloy profile structure, in accordance with C.E.I. standards, and aluminium panels with Class 2 reflective red and white stripes.

The trailer body, consisting of an open storage compartment and a closed compartment to house the accumulators, is made of galvanised sheet. The light system consists of 5 LED warning lamps, model 30SL, class L9H-L9M, 300 mm diameter (certified according to the EN 12352 standard).

The system is equipped with an automatic day/night intensity reduction in order to avoid glare phenomena in poor light conditions. The wiring is protected by plastic inspectionable conduits, whereas the main switch for the turning on of the light system is protected by a box with a door with IP65 protection degree. This signalling system also includes a road-works sign (fig. 383) and left or right lane closing signs (fig. 411/a or 411/b).

### TECHNICAL DATA

Ref.	FIG400
Lamps	5 x Ø 300 - model 30SL
Lamps class	EN12352 - L9H
Panel material	Aluminium with Class 2 reflective sheeting
Control unit	Backlit membrane keyboard
Trailer material	Hot dip galvanised metal sheet
Laden mass	750 kg
Trailer features	<ul style="list-style-type: none"> <li>- Specific homologation for road signage use</li> <li>- Spare wheel included</li> <li>- Metal cart for battery housing</li> <li>- Height adjustable and approved drawbar for use with ball or eye hooking</li> <li>- Rear stabilising feet</li> <li>- Parking brake</li> </ul>



LAMPS FUNCTIONS FIG. 400 VERSION



Figure 400 can be equipped with a "supplementary light device", made of 6 lamps Ø 300, with the function of scrolling to the left or to the right or alternated.



# 7 WORK ZONE EQUIPMENT



# FIG. 401 LED WARNING TRAILER MOBILE WORK ZONE

Mobile LED warning trailer consisting of an aluminium alloy profile structure, in accordance with C.E.I. standards, and aluminium panels with Class 2 reflective red and white stripes. The trailer body, consisting of an open storage compartment and a closed compartment to house the accumulators, is made of galvanised sheet. The light system consists of 2 LED warning lamps, model 30SL, class L9H-L9M, 300 mm diameter, and 23 LED warning lamps, model 20L8L, 200 mm diameter (certified according to the EN 12352 standard), which, thanks to a specific control unit, flash alternately:

- the 23 lamps forming an arrow facing right or left at a 45-degree angle,
- the 2 x 300 mm lamps at the top corners.

The system is equipped with an automatic day/night intensity reduction in order to avoid glare phenomena in poor light conditions. The wiring is protected by plastic inspectionable conduits, whereas the board functions and main switch are protected by a box with a door with IP65 protection degree. This signalling system also includes an arrow sign (fig. 80), diameter 1500 mm, in the lower part, with a rotating arrow, operated by a manual device. Upon request, it can be operated by means of an electric actuator.

## TECHNICAL DATA

Ref.	FIG401
Lamps	2 x Ø 300 - model 30SL 23 x Ø 200 - model 20L8L
Lamps class	EN12352 - L8H and L9H
Panel material	Aluminium with Class 2 reflective sheeting
Control unit	Backlit membrane keyboard
Trailer material	Hot dip galvanised metal sheet
Laden mass	750 kg
Trailer features	<ul style="list-style-type: none"> <li>- Specific homologation for road signage use</li> <li>- Spare wheel included</li> <li>- Metal cart for battery housing</li> <li>- Height adjustable and approved drawbar for use with ball or eye hooking</li> <li>- Rear stabilising feet</li> <li>- Parking brake</li> </ul>



LAMPS FUNCTIONS:  
Right arrow, left arrow and cross functions.





# MTA-8

8-light work zone signalling panel. Resistant structure, entirely made of aluminium, to be mounted on a stand or on special vehicles. Recessed lamps for higher protection and reduced thickness.

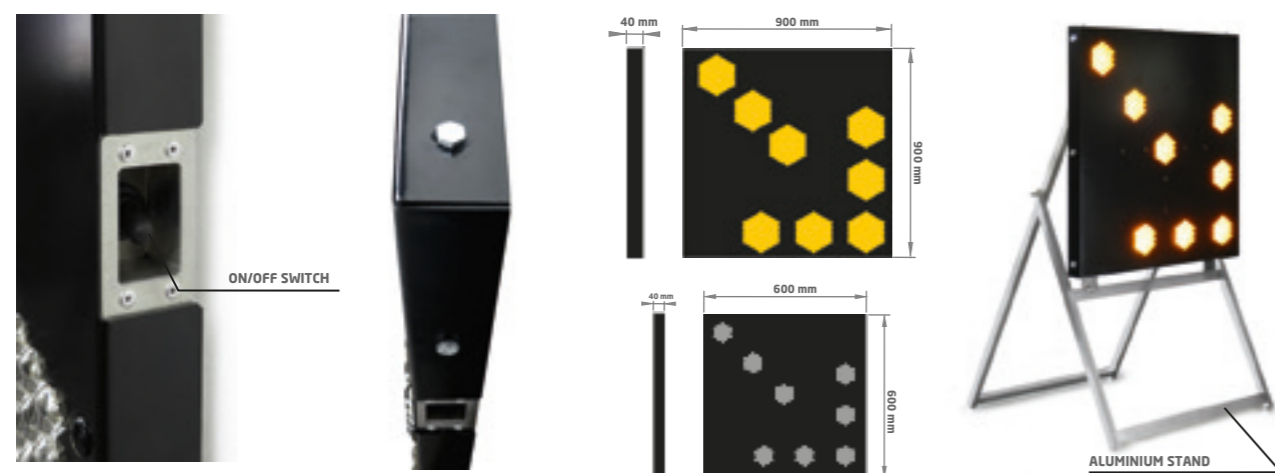
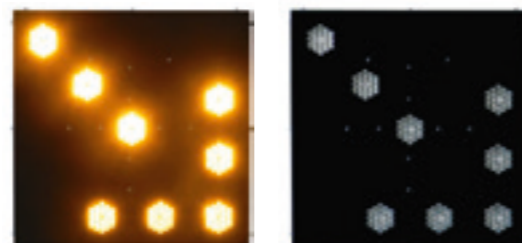
## TECHNICAL DATA

Ref.	MTA8-90A
Lamps	8 x Ø 200 mm - model 20SL
Dimensions	L 900 x W 40 x H 900 mm
Structure material	Aluminium
Lamps class	EN 12352 - L8H Resistance: M3 - IPX6



## TECHNICAL DATA

Ref.	MTA8-60A
Lamps	8 x Ø 80 mm - model 80SL
Dimensions	L 600 x W 40 x H 600 mm
Structure material	Aluminium
Lamps class	EN 12352 - L2H Resistance: M3 - IPX6

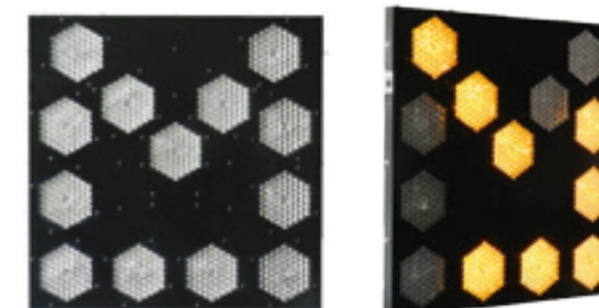


# MTA-13

13-light work zone signalling panel. Resistant structure, entirely made of aluminium, to be mounted on a stand or on special vehicles. Recessed lamps for higher protection and reduced thickness.

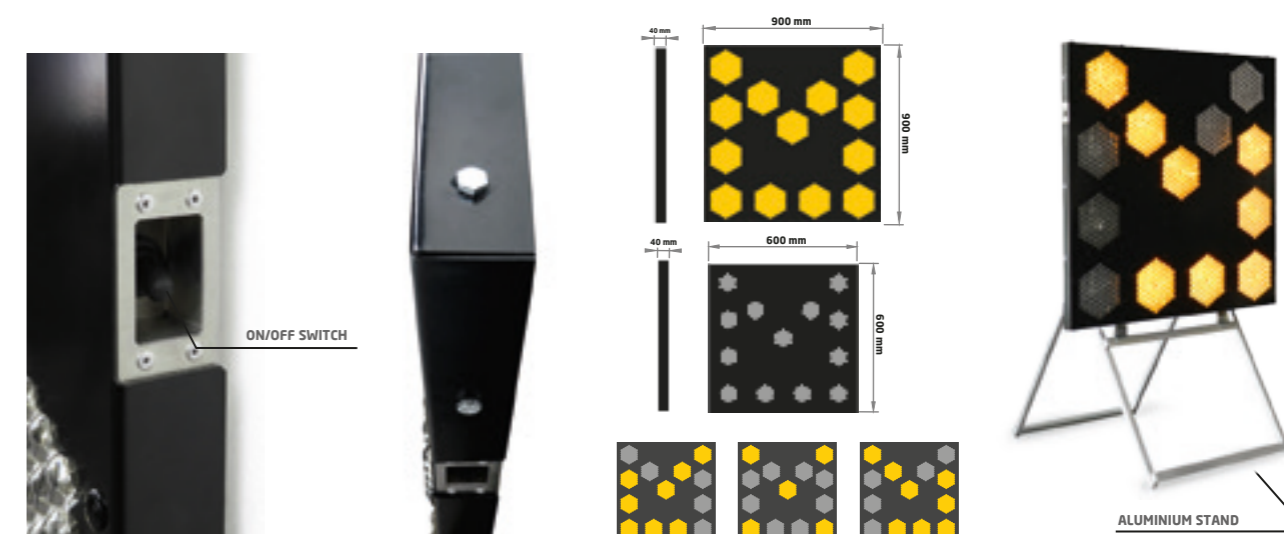
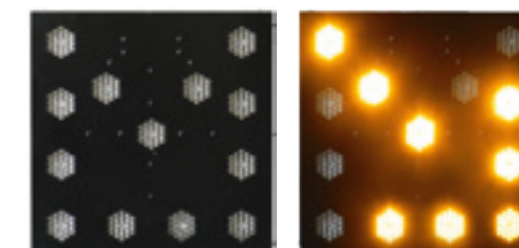
## TECHNICAL DATA

Ref.	MTA13-90A
Lamps	13 x Ø 200 mm - model 20SL
Dimensions	L 900 x W 40 x H 900 mm
Structure material	Aluminium
Lamps class	EN 12352 - L8H Resistance: M3 - IPX6



## TECHNICAL DATA

Ref.	MTA13-60A
Lamps	13 x Ø 80 mm - model 80SL
Dimensions	L 600 x W 40 x H 600 mm
Structure material	Aluminium
Lamps class	EN 12352 - L2H Resistance: M3 - IPX6





# ARROW BOARD

Aluminium panel with model 20L8L LED devices, compliant with C.d.S. Decree 10/07/2002 Art. 36, two-part shell, with 13 or 8 high luminosity LED lamps installed, in an arrow shape layout, low consumption flash management electronics with C/Mos technology and anti-dew treatment with specific vitrified paint. Available with rechargeable battery or direct power supply from the vehicle. It can be supplied with an aluminium stand with a height of 600 mm from the ground and the positioning of the panel is perfectly orthogonal to the road. Brackets are also available to install it on the edge of a truck.

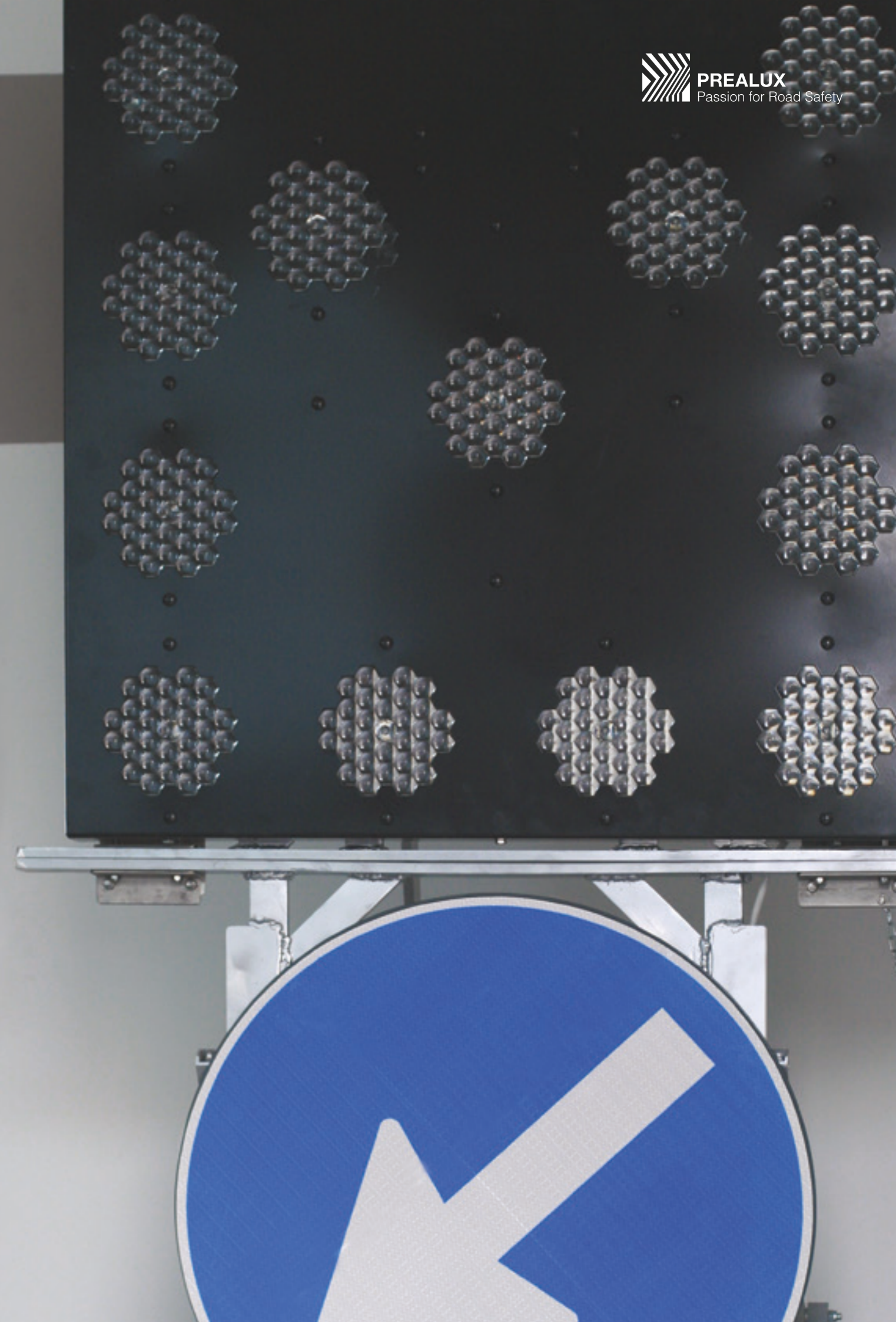
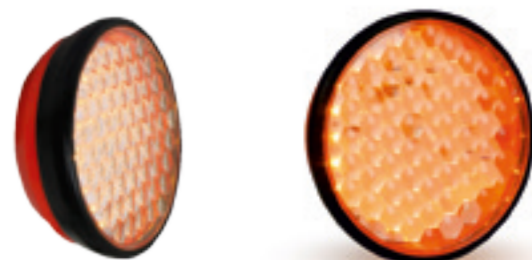
## TECHNICAL DATA

Ref.	FRC8-90A FRC13-90A
Lamps	ref. FRC8-90A: 8 x Ø 200 mm - mod. 20L8L ref. FRC13-90A: 13 x Ø 200 mm - mod. 20L8L
Dimensions	L 920 x W 85 x H 920 mm
Structure material	Aluminium
Lamps class	EN 12352 - L8H Resistance: M4 - IPX4
Power supply	12 or 24 V
Battery	Lead-gel rechargeable: 12V - 9Ah Autonomy: ~24 hrs
Photocell	Light intensity automatic adjustment



CE EN12352 L8H

MODEL 20L8L LAMPS  
EN 12352 APPROVED - CLASS L8H



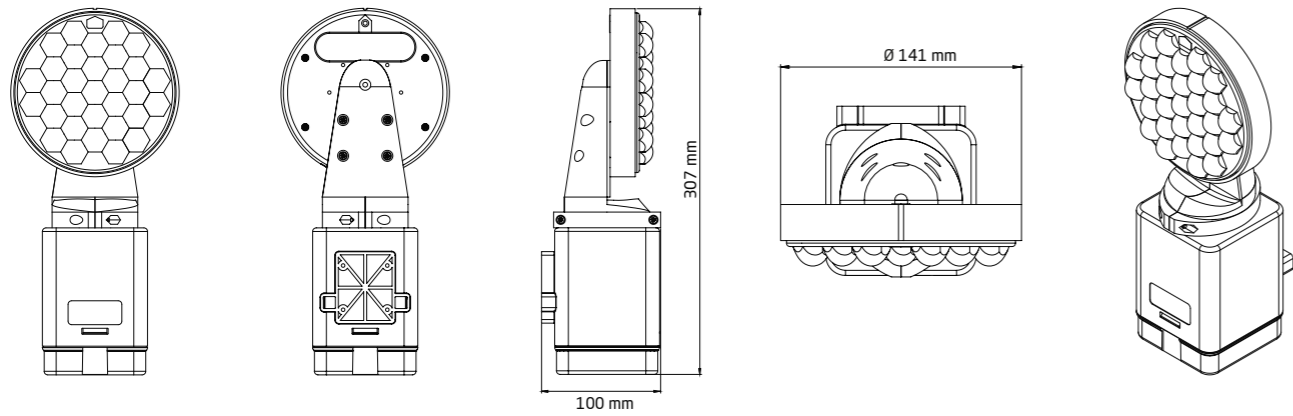


# LTRS-140SL-1

DUAL-COLOUR compact portable LED lamp.  
Practical and safe customisable membrane switch. Functions: radio-sequential and steady light.

## TECHNICAL DATA

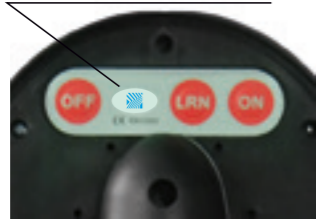
Ref.	LTRS-140SL-1AR
Lamp dimensions	1 x Ø 140 mm - model 140SL
Battery	1 x 6V - 4R25
Material	Impact resistant thermoplastic ABS
Class	EN 12352 - L2M Resistance: M3 - IPX6
Features	Radio-sequential function Steady light function Predisposed for bracket fixing Membrane keyboard



180° ROTATION



CUSTOMISED LOGO



RANGE OF CONFIGURABLE LED COLOURS

- =White
- =Red
- =Amber
- =Green
- =Blue
- =Orange

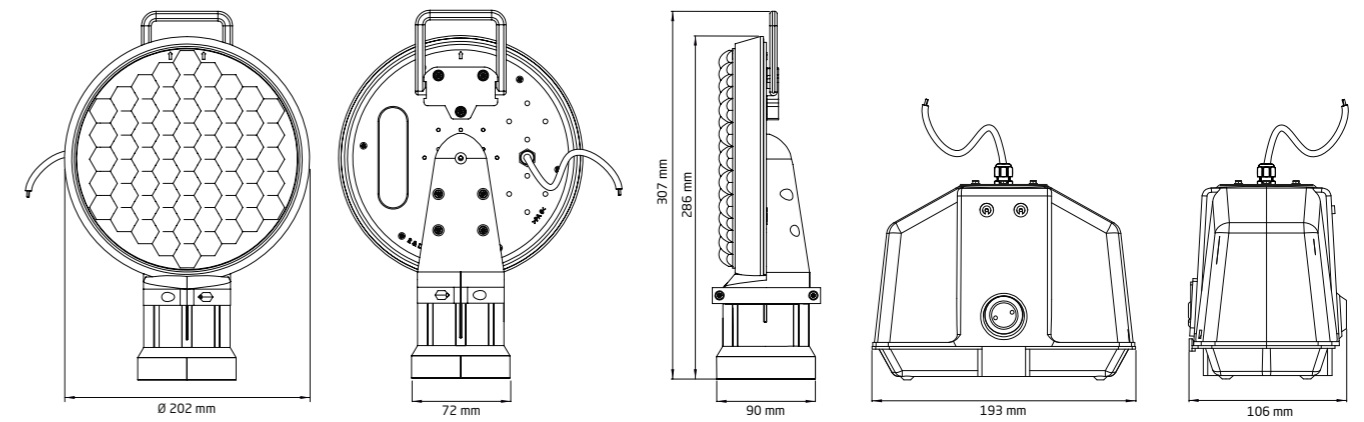


# LTRS-20SL-A2

DUAL-COLOUR compact portable LED lamp.  
Practical and safe customisable membrane switch. Functions: radio-sequential and steady light.  
Supplied with fixing adaptor for PVC delineators.

## TECHNICAL DATA

Ref.	LTRS-20SL-A-2AR
Lamp dimensions	1 x Ø 200 mm - model 20SL
Battery	2 x 6V - 4R25
Material	Impact resistant thermoplastic ABS
Class	EN 12352 - L8M Resistance: M3 - IPX6
Features	Radio-sequential function Steady light function Adaptor for PVC delineator Membrane keyboard



CUSTOMISED LOGO



RANGE OF CONFIGURABLE LED COLOURS

- =White
- =Red
- =Amber
- =Green
- =Blue
- =Orange



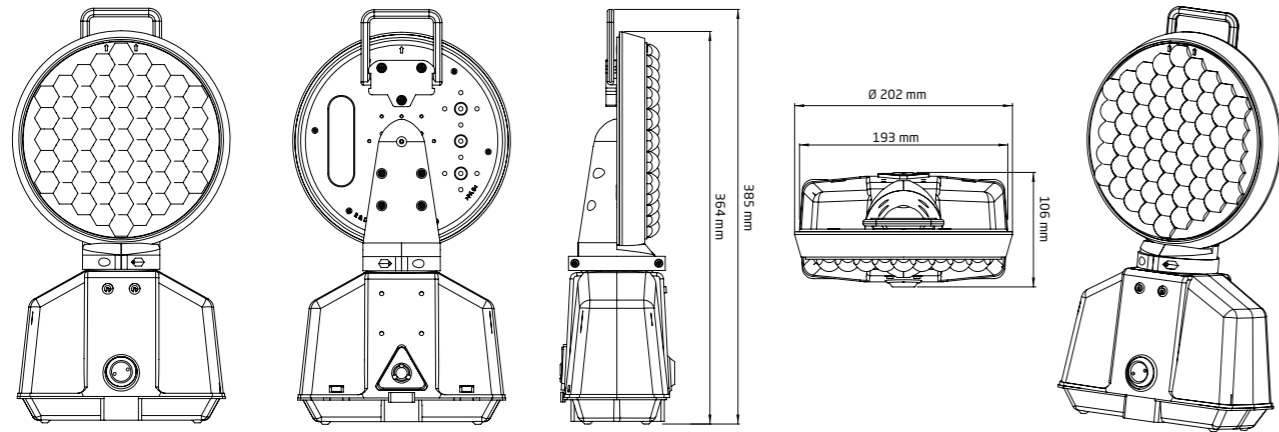


# LTRS-20SL-B2

DUAL-COLOUR compact portable LED lamp. Practical and safe customisable membrane switch. Functions: radio-sequential and steady light.

## TECHNICAL DATA

Ref.	LTRS-20SL-B-2AR
Lamp dimensions	1 x Ø 200 mm - model 20SL
Battery	2 x 6V - 4R25
Material	Impact resistant ABS thermoplastic
Class	EN 12352 - L8M Resistance: M3 - IPX6
Features	Radio-sequential function Steady light function Predisposed for bracket fixing Membrane keyboard



CUSTOMISED LOGO



RANGE OF CONFIGURABLE LED COLOURS

- =White
- =Red
- =Amber
- =Green
- =Blue
- =Orange

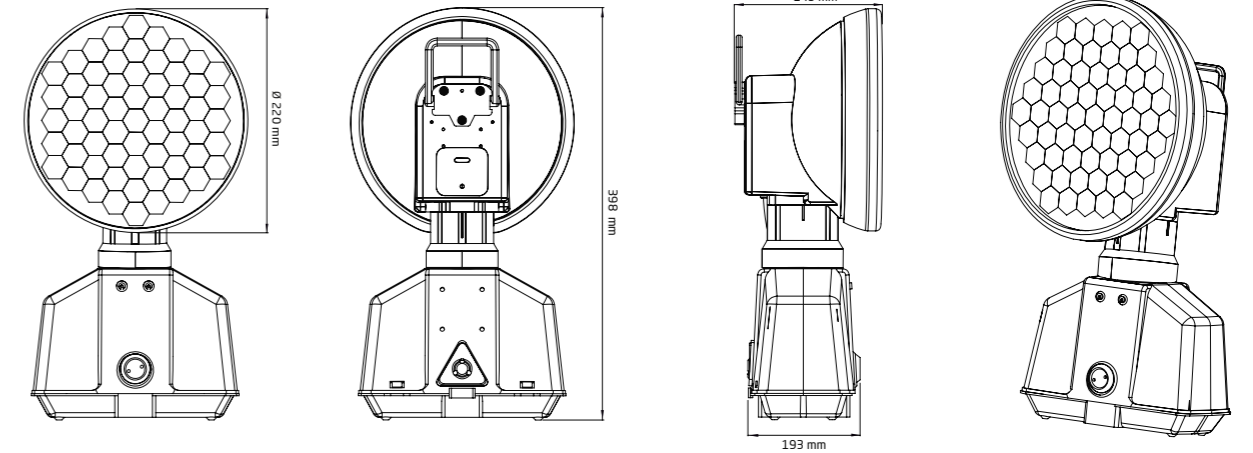


# LTRS-20L8-2A

Radio-sequential compact portable LED lamp. Class M4 impact resistance. Practical and safe customisable membrane switch.

## TECHNICAL DATA

Ref.	LTRS-20L8-2A
Lamp dimensions	1 x Ø 200 mm - model 20L8L
Resistance	Mechanical: M4 - Water: IP55
Material	Impact resistant ABS thermoplastic
Class	EN 12352 - L8M Approved by Italian Ministry of Transport
Batteries	2 x 6V - 4R25
Features and functions	Radio-sequential function Predisposed for bracket fixing Membrane keyboard



PREDISPOSED FOR BRACKET



CUSTOMISABLE LOGO

RANGE OF CONFIGURABLE LED COLOURS

- =White
- =Red
- =Amber
- =Green
- =Blue
- =Orange



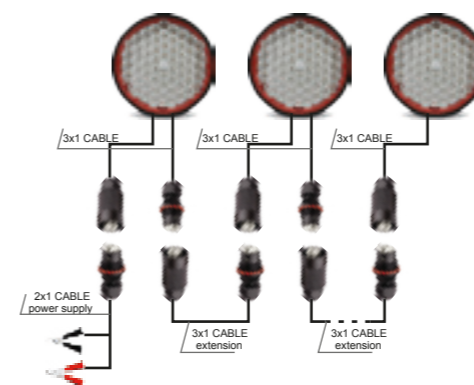
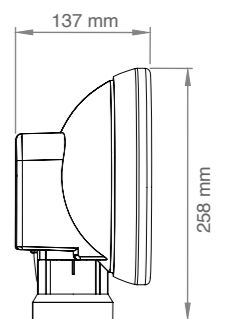
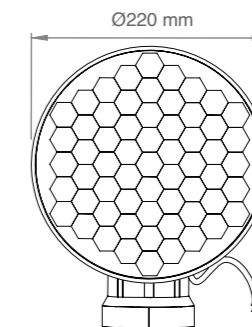
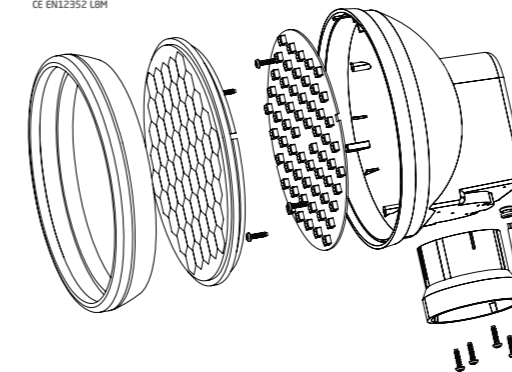


# 20L8L SEQUENTIAL

Sequential LED lamp for work zone signalling.  
Supplied with Ø60 or Ø90 mm pole fixing bracket, or with an adaptor for PVC delineators.

## TECHNICAL DATA

Ref.	20L8L-S
Lamp dimensions	Ø 200 x W 137 mm
Resistance	Mechanical: M4 - Water: IP55
Material	Impact resistant ABS thermoplastic
Class	EN 12352 - L8H Approved by Italian Ministry of Transport
Features	Sequential function Predisposed for bracket fixing or with an adaptor for PVC delineators



Ø 60 OR Ø 90 mm  
POLE FIXING BRACKET



ADAPTOR FOR Ø 40mm  
PVC DELINEATOR





# FLAG WAVING SYSTEM

System with automatic flag waver and 200 mm diameter lamp, with EN 12352 approval, class L8H, for temporary signalling. Two-sided plastic front panel, with any road code sign-face upon request. Recharge cable for the batteries included. Mains battery-charger, as an option.

## TECHNICAL DATA

Ref.	SBD-20L8L
Lamp	1 x Ø 200 mm - model 20L8L
Dimensions	L 600 x H 1400 mm (flag excluded)
Structure material	Aluminium
Lamp class	EN 12352 - L8H Resistance: M4 - IPX4
Battery	Lead-gel rechargeable: 1 x 12V - 9Ah



CE EN12352 L8H



# WORK ZONE LAMPS

A range of highly efficient work zone flashing lamps, chosen for their strength and impact resistance and for their excellent luminous performance. Their electronics are highly reliable in operation and their LEDs ensure a high light emission, visible from a long distance. All lamps are available in a yellow flashing version or in a red steady light version and are equipped with a handle for carrying.

## TECHNICAL DATA

Ref.	LMP-NITRA-R (steady red) LMP-NITRA-G (flashing yellow)
Lens dimension	Ø 180 mm
Approval	EN 12352 - L6/L7
Light	TWO-SIDED - 1 x 15cd LED
Power supply	Double 4R25 type battery
Features	<ul style="list-style-type: none"> <li>- Available with or without bracket</li> <li>- Easy battery replacement without removing the lamp</li> <li>- Ring for carrying or quick coupling</li> <li>- Adjustable head rotation</li> <li>- Reflective lens rim</li> <li>- Twilight function</li> </ul>



## TECHNICAL DATA

Ref.	LMP-QUEEN-R (steady red) LMP-QUEEN-G (flashing yellow)
Lens dimension	Ø 210 mm
Approval	EN 12352 - L7/L8G
Light	ONE-SIDED - high intensity multiLED
Power supply	Double 4R25 type battery
Features	<ul style="list-style-type: none"> <li>- ON/OFF/NIGHT ONLY external switch</li> <li>- Internal switch for twilight function ON/OFF</li> <li>- Carrying handle</li> <li>- Guides for pole bracket</li> <li>- Internal nut for tightening screw secured to the casing</li> <li>- Simplified opening and closing: tightening screw openable with standard tools</li> </ul>





## DELINEATORS AND BASES

The delineators, for the mounting of sequential lamps or for the delimiting of a work zone, are made of flexible black UV-resistant linear polyethylene, with class 1, 2 or 3 reflective sheeting.

### TECHNICAL DATA

Ref.	DLN-BR
Panel dimensions	L 285 x H 1340 mm
Film dimensions	L 250 x H 1000 mm
Material	Flexible linear polyethylene



### TECHNICAL DATA

Ref.	BASAPP
Dimensions	L 800 x W 120 x H 400 mm
Weight	28 kg



## BATTERIES

Non-rechargeable batteries for all work zone warning lamps. Available in different formats.

### TECHNICAL DATA

Ref.	H4R25-7A (6 V - 7/9 Ah) H4R25-25A (6 V - 25/28 Ah) H4R25-50A (6 V - 50 Ah)
Voltage	6 V
Weight	585 gr +/- 2%
Confezione	24 pcs/box

### CHEMICAL COMPOSITION:

Black mixture	59.26%
Zinc housing	18.63%
Paper separator	0.55%
Paper	3.66%
Plastic	8.96%
Steel	1.22%
Aluminium	0.06%
Copper	0.21%
Carbon bars	5.23%
Wax	2.22%

### BLACK MIXTURE COMPOSITION:

Electrolytic manganese dioxide  
Natural manganese dioxide  
Black acetylene

### MERCURY-FREE TYPE:

Mercury < 0.2 PPM  
Cadmium < 0.0056%





**Passion  
for  
Road  
Safety**

## **CONTACT INFO**

**PREALUX s.r.l.**

via Angeretti 30, 24055 Cologno al Serio (Bg) - Italy

ph. +39 035 36.25.10 - fax +39 035 36.25.04

info@prealux.it - www.prealux.it

Company subject to management and coordination by Road Enterprise s.r.l.  
based in Bergamo, via Sant'Alessandro n. 58 - REA: BG 403476





[www.prealux.it](http://www.prealux.it)

